

## 125 Gram Bowl Base & Lid

**Manufactured from:** Polypropylene for baking, for non-baking/freezing applications please contact our office so we can advise a suitable grade material for your specific use. All raw materials and colourants used in our pudding bases and lids are food contact approved. **Standard Colours:** natural and gold. Other colours can be made to order, subject to minimum quantities – a PMS colour code or colour sample to match would be required for colours not currently in our range. **Freight:** Added to invoice or as arranged **Capacity:** 46ml brim full. **Standard carton:** 900 units. **Min order:** one standard carton **Samples:** are available on request.

Code	Description	Code	Description
M216501	125g BOWL BASE GOLD	M216701	125g BOWL LID GOLD
M216507	125g BOWL BASE CP GOLD	M216710	125g BOWL LID CP GOLD
M216502	125g BOWL BASE NATURAL	M216707	125g BOWL LID NATURAL
M216504	125g BOWL BASE CP NATURAL	M216702	125g BOWL LID CP NATURAL
M216506	125g BOWL BASE RED**	M216709	125g BOWL LID WHITE**
M216508	125g BOWL BASE WHITE**		
M216505	125g BOWL BASE BLACK**	M216711	125g BOWL LID BLACK**

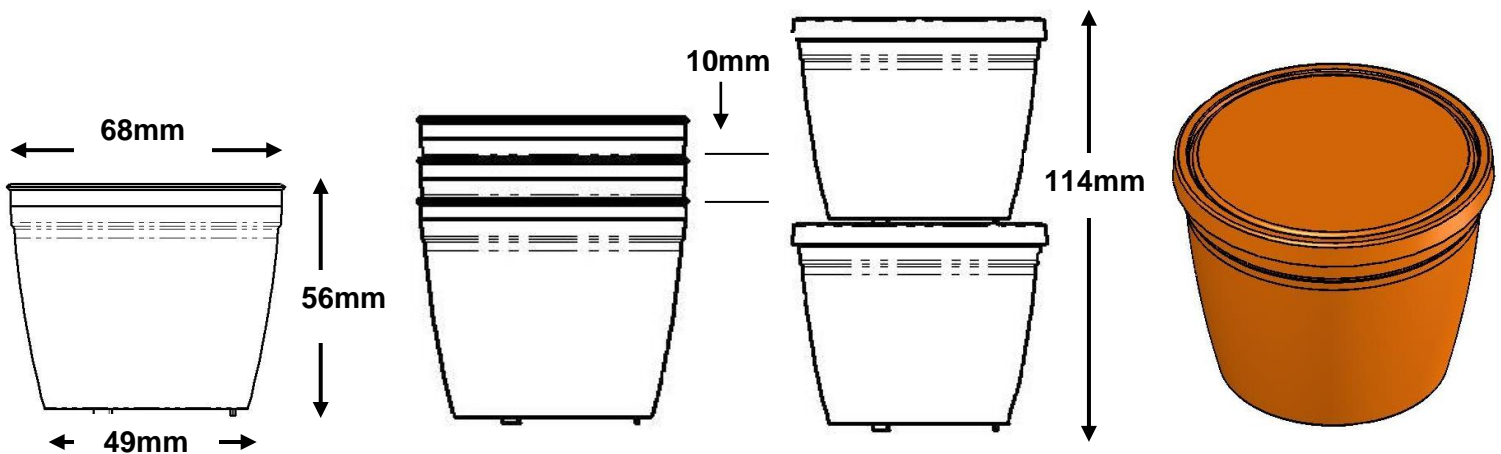
**\*\* made to order – minimum quantities may apply**

### Qty Bowls

900  
5,400  
10,800  
20,700

### Qty Lids

900  
5,400  
10,800  
20,700



**Dimensions**

**Nesting Height**

**Stacking Height**

**125g Base & Lid**

**Dimensions shown are nominal.**

**125 Gram Tamper Evident Bowl Base & Lid**

**Manufactured from:** Polypropylene for baking, for non-baking/freezing applications please contact our office so we can advise a suitable grade material for your specific use. All raw materials and colourants used in our pudding bases and lids are food contact approved. **Standard Colours:** natural and gold. Other colours can be made to order, subject to minimum quantities – a PMS colour code or colour sample to match would be required for colours not currently in our range. **Freight:** added to invoice or as arranged **Capacity:** 146ml brim full. **Standard carton:** 900 units. **Min order:** one standard carton **Samples:** are available on request.

<b>Code</b>	<b>Description</b>	<b>Code</b>	<b>Description</b>
M225503	125g BOWL BASE TE GOLD	M216710	125g BOWL LID CP GOLD
M225505	125g BOWL BASE TE NATURAL	M216702	125g BOWL LID CP NATURAL
M225506	125g BOWL BASE TE RED**	M216703	125g BOWL LID CP WHITE**
M225504	125g BOWL BASE TE BLACK**	M216708	125g BOWL LID CP BLACK**

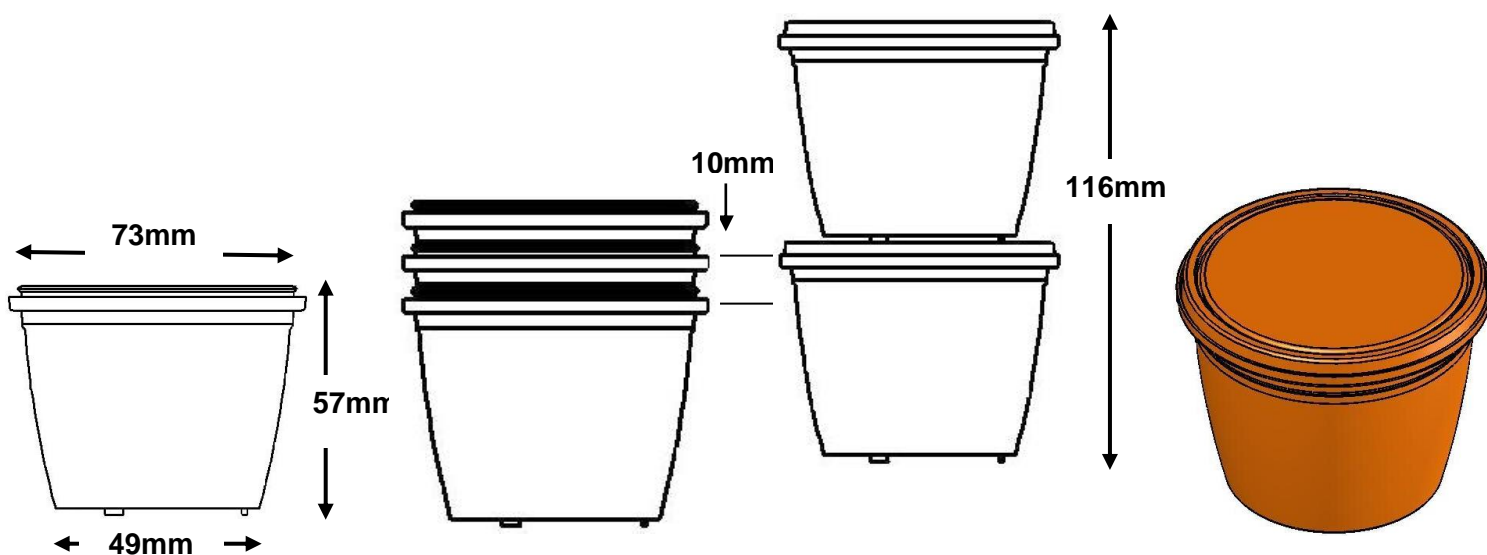
**\*\* made to order – minimum quantities may apply**

**Qty Bowls**

900  
5,400  
10,800  
20,700

**Qty Lids**

900  
5,400  
10,800  
20,700



**Dimensions**

**Nesting Height**

**Stacking Height**

**125g Base TE & Lid**

***Dimensions shown are nominal.***

**150 Gram Bowl Base & Lid**

**Manufactured from:** Polypropylene for baking, for non-baking/freezing applications please contact our office so we can advise a suitable grade material for your specific use. All raw materials and colourants used in our pudding bases and lids are food contact approved. **Standard Colours:** natural and gold. Other colours can be made to order, subject to minimum quantities – a PMS colour code or colour sample to match would be required for colours not currently in our range. **Freight:** added to invoice or as arranged **Capacity:** 175ml brim full. **Standard carton:** 750 units. **Min order:** one standard carton **Samples:** are available on request.

<b>Code</b>	<b>Description</b>	<b>Code</b>	<b>Description</b>
M225601	150g BOWL BASE CP GOLD	M225701	150g BOWL LID CP GOLD
M225602	150g BOWL BASE CP NATURAL	M225702	150g BOWL LID CP NATURAL
M225605	150g BOWL BASE CP RED**	M225706	150g BOWL LID CP WHITE**

**\*\* made to order – minimum quantities may apply**

**Qty Bowls**

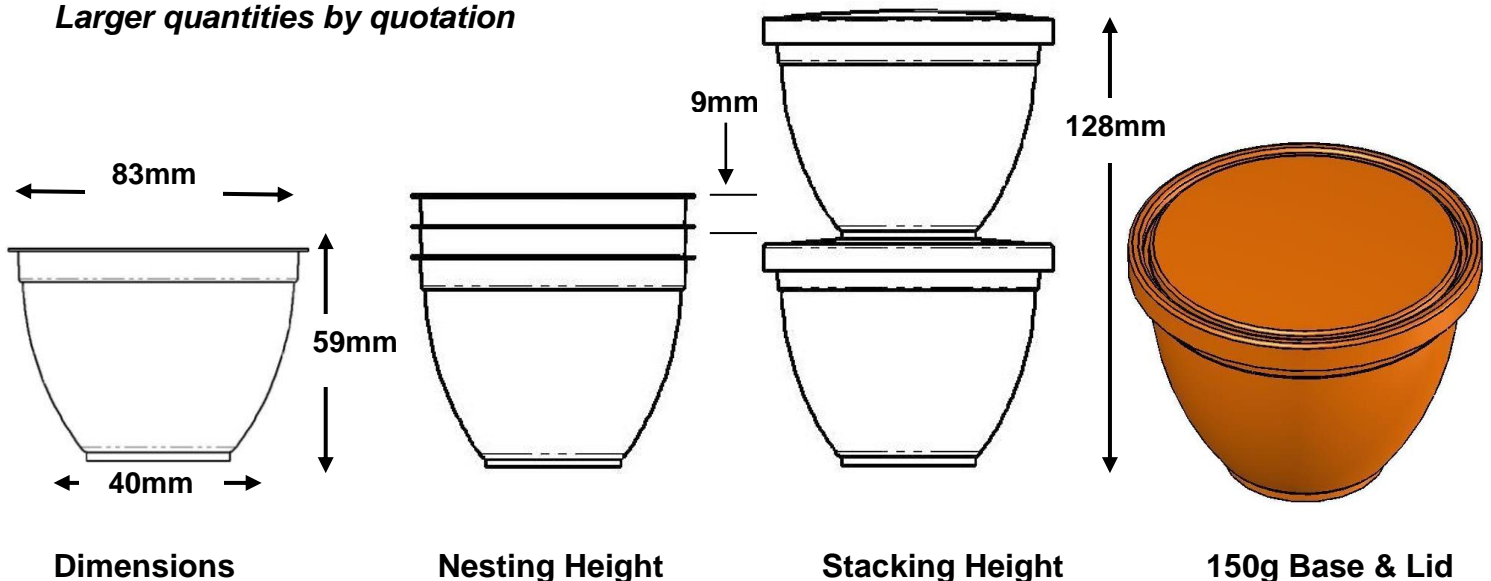
750  
5,250  
10,500  
20,250

**Qty Lids**

750  
5,250  
10,500  
20,250

**GST is additional**

**Larger quantities by quotation**



**Dimensions**

**Nesting Height**

**Stacking Height**

**150g Base & Lid**

**Dimensions shown are nominal.**

**250 Gram Bowl Base & Lid**

**Manufactured from:** Polypropylene for baking, for non-baking/freezing applications please contact our office so we can advise a suitable grade material for your specific use. All raw materials and colourants used in our pudding bases and lids are food contact approved. **Standard Colours:** natural and gold. Other colours can be made to order, subject to minimum quantities – a PMS colour code or colour sample to match would be required for colours not currently in our range. **Freight:** added to invoice or as arranged **Capacity:** 260 ml brim full. **Standard carton:** 500 units. **Min order:** one standard carton **Samples:** are available on request.

<b>Code</b>	<b>Description</b>	<b>Code</b>	<b>Description</b>
M225804	250g BOWL BASE CP GOLD	M217401	250g BOWL LID CP GOLD
M225801	250g BOWL BASE CP NATURAL	M217402	250g BOWL LID CP NATURAL
M225803	250g BOWL BASE CP RED**	M217403	250g BOWL LID CP WHITE**

**\*\* made to order – minimum quantities may apply**

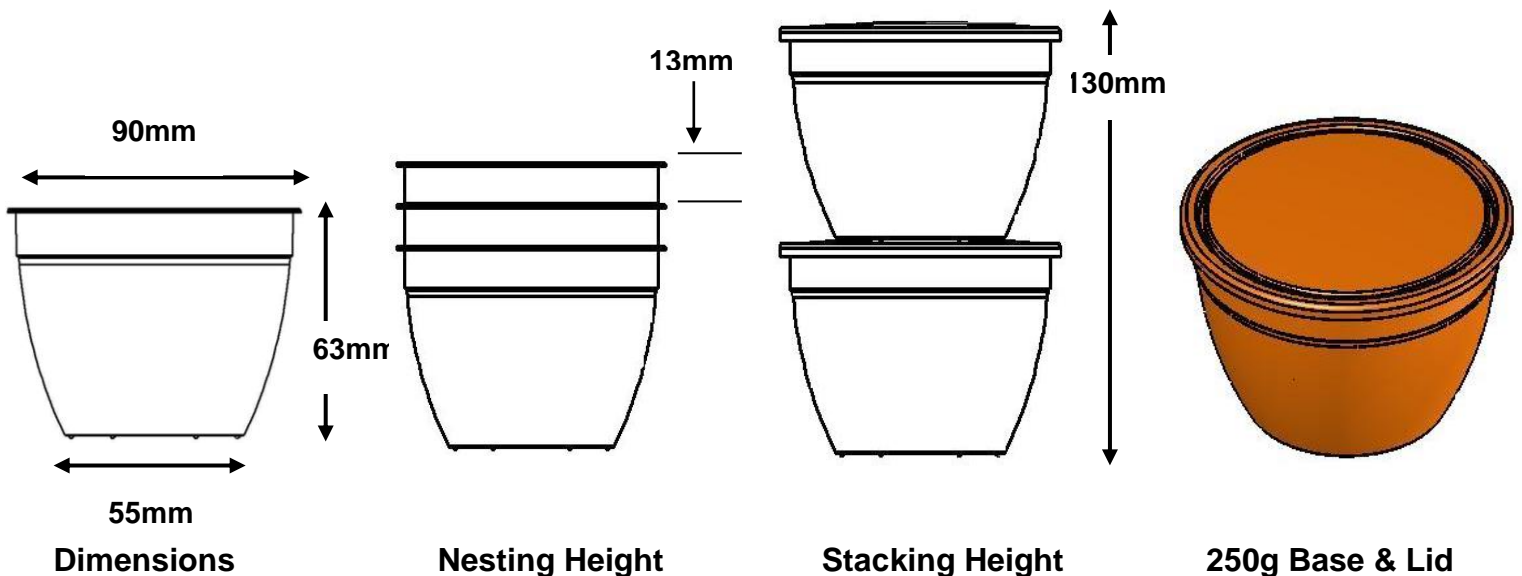
**Qty Bowls**

- 500
- 5,000
- 10,000
- 20,000

**Qty Lids**

- 500
- 5,000
- 10,000
- 20,000

**quotation**



**Dimensions shown are nominal.**

# ROBLAN PTY LIMITED

A.B.N 74 000 595 415

P.O. Box 311 Ingleburn NSW 1890

17-19 Broadhurst Road, Ingleburn NSW Australia 2565

Telephone: 612 9560 7566 email: roblan@roblan.com.au

## 400 Gram Bowl Base & Lid

**Manufactured from:** Polypropylene for baking, for non-baking/freezing applications please contact our office so we can advise a suitable grade material for your specific use. All raw materials and colourants used in our pudding bases and lids are food contact approved. **Standard Colours:** natural and gold. Other colours can be made to order, subject to minimum quantities – a PMS colour code or colour sample to match would be required for colours not currently in our range. **Freight:** added to invoice or as arranged **Capacity:** 482 ml brim full. **Standard carton:** 400 units. **Min order:** one standard carton **Samples:** are available on request.

Code	Description	Code	Description
M217502	400g BOWL BASE GOLD	M217602	400g BOWL LID GOLD
M217503	400g BOWL BASE NATURAL	M217603	400g BOWL LID NATURAL
M217501	400g BOWL BASE CP NATURAL	M217601	400g BOWL LID CP NATURAL
M217504	400g BOWL BASE RED **	M217604	400g BOWL LID RED **
		M217605	400g BOWL LID WHITE **

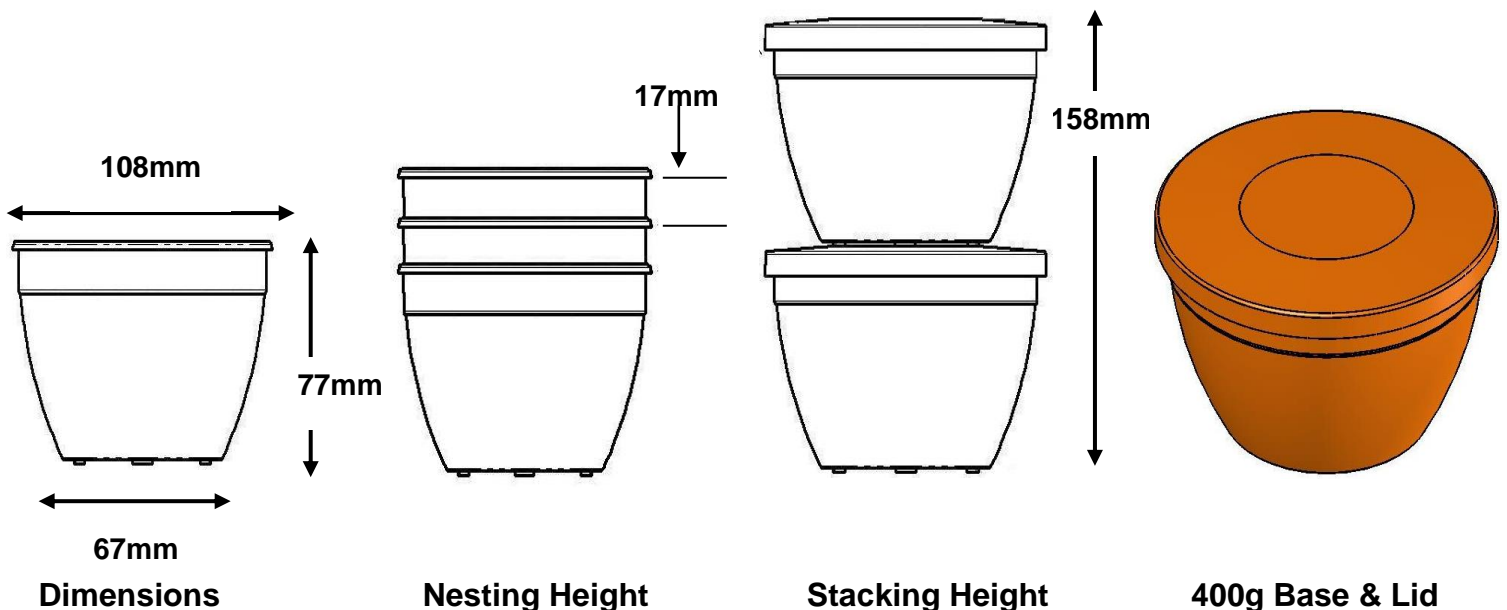
**\*\* made to order – minimum quantities apply**

### Qty Bowls

400  
5,200  
10,000  
20,000

### Qty Lids

400  
5,200  
10,000  
20,000



**Dimensions shown are nominal**

**401 Gram Bowl Tamper Evident Base & Lid**

**Manufactured from:** Polypropylene for baking, for non-baking/freezing applications please contact our office so we can advise a suitable grade material for your specific use. All raw materials and colourants used in our pudding bases and lids are food contact approved. **Standard Colours:** natural and gold. Other colours can be made to order, subject to minimum quantities – a PMS colour code or colour sample to match would be required for colours not currently in our range. **Freight:** added to invoice or as arranged **Capacity:** 474 ml brim full. **Standard carton:** 500 units. **Min order:** one standard carton **Samples:** are available on request.

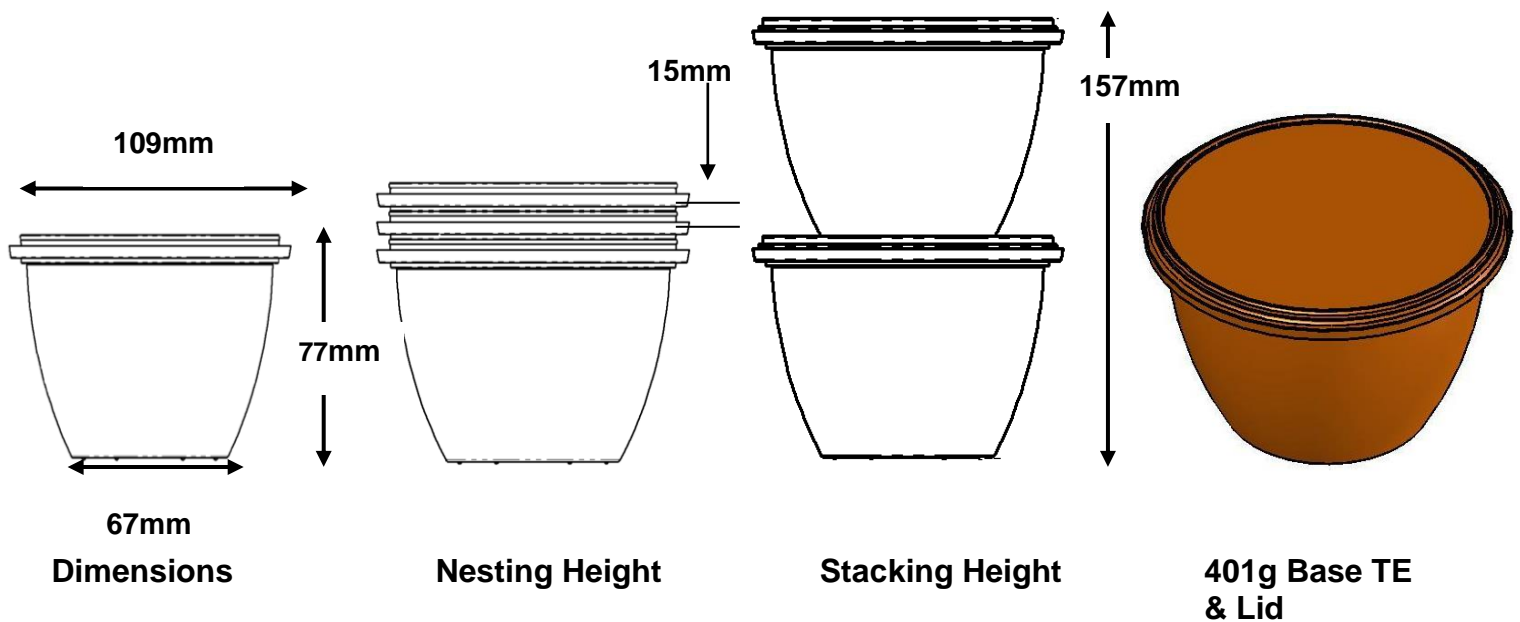
Code	Description	Code	Description
M217801	401g BOWL BASE TE GOLD	M217701	401g BOWL LID TE CP GOLD
M217802	401g BOWL BASE TE NATURAL	M217702	401g BOWL LID TE CP NAT

**Qty Bowls**

500  
5,000  
10,000  
20,000

**Qty Lids**

500  
5,000  
10,000  
20,000



***Dimensions shown are nominal.***

**900 Gram Bowl Base & Lid**

**Manufactured from:** Polypropylene for baking, for non-baking/freezing applications please contact our office so we can advise a suitable grade material for your specific use. All raw materials and colourants used in our pudding bases and lids are food contact approved. **Standard Colours:** natural and gold. Other colours can be made to order, subject to minimum quantities – a PMS colour code or colour sample to match would be required for colours not currently in our range. **Freight:** added to invoice or as arranged **Capacity:** 983ml brim full. **Standard carton:** 250 units. **Min order:** one standard carton **Samples:** are available on request.

<b>Code</b>	<b>Description</b>	<b>Code</b>	<b>Description</b>
M216403	900g BOWL BASE GOLD	M217903	900g BOWL LID GOLD
M216405	900g BOWL BASE CP GOLD	M217907	900g BOWL LID CP GOLD
M216401	900g BOWL BASE NATURAL	M217904	900g BOWL LID NATURAL
M216402	900g BOWL BASE CP NATURAL	M217901	900g BOWL LID CP NATURAL
M216404	900g BOWL BASE RED**	M217905	900g BOWL LID RED **
M216406	900g BOWL BASE WHITE **	M217906	900g BOWL LID WHITE **

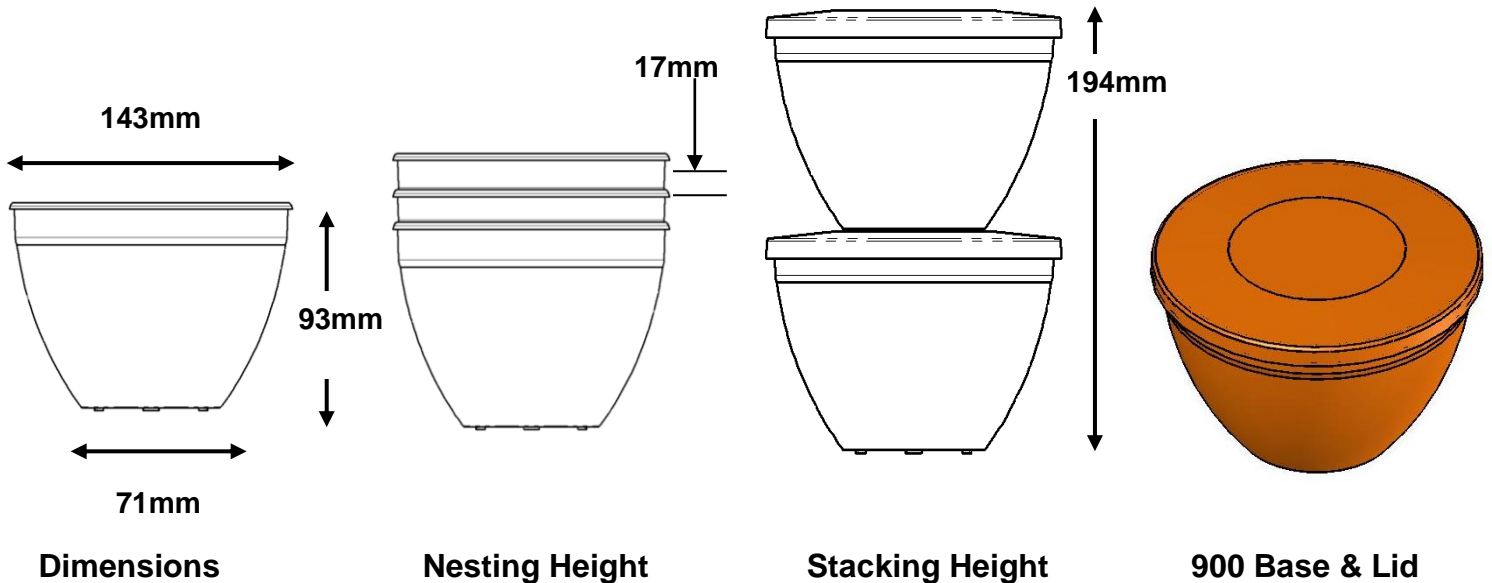
**\*\* made to order – minimum quantities apply**

**Qty Bowls**

- 250
- 5,000
- 10,000
- 20,000

**Qty Lids**

- 250
- 5,000
- 10,000
- 20,000



***Dimensions shown are nominal.***

**901 Gram Bowl Tamper Evident Base & Lid**

**Manufactured from:** Polypropylene for baking, for non-baking/freezing applications please contact our office so we can advise a suitable grade material for your specific use. All raw materials and colourants used in our pudding bases and lids are food contact approved. **Standard Colours:** natural and gold. Other colours can be made to order, subject to minimum quantities – a PMS colour code or colour sample to match would be required for colours not currently in our range. **Freight:** added to invoice or as arranged **Capacity:** 950ml brim full. **Standard carton:** 280 units. **Min order:** one standard carton **Samples:** are available on request.

<b>Code</b>	<b>Description</b>	<b>Code</b>	<b>Description</b>
M218102	901g BOWL BASE TE GOLD	M218001	901g BOWL LID TE CP GOLD
M218103	901g BOWL BASE TE NATURAL	M218002	901g BOWL LID TE CP NAT
M218104	901g BOWL BASE TE RED **	M218003	901g BOWL LID TE CP WTE**

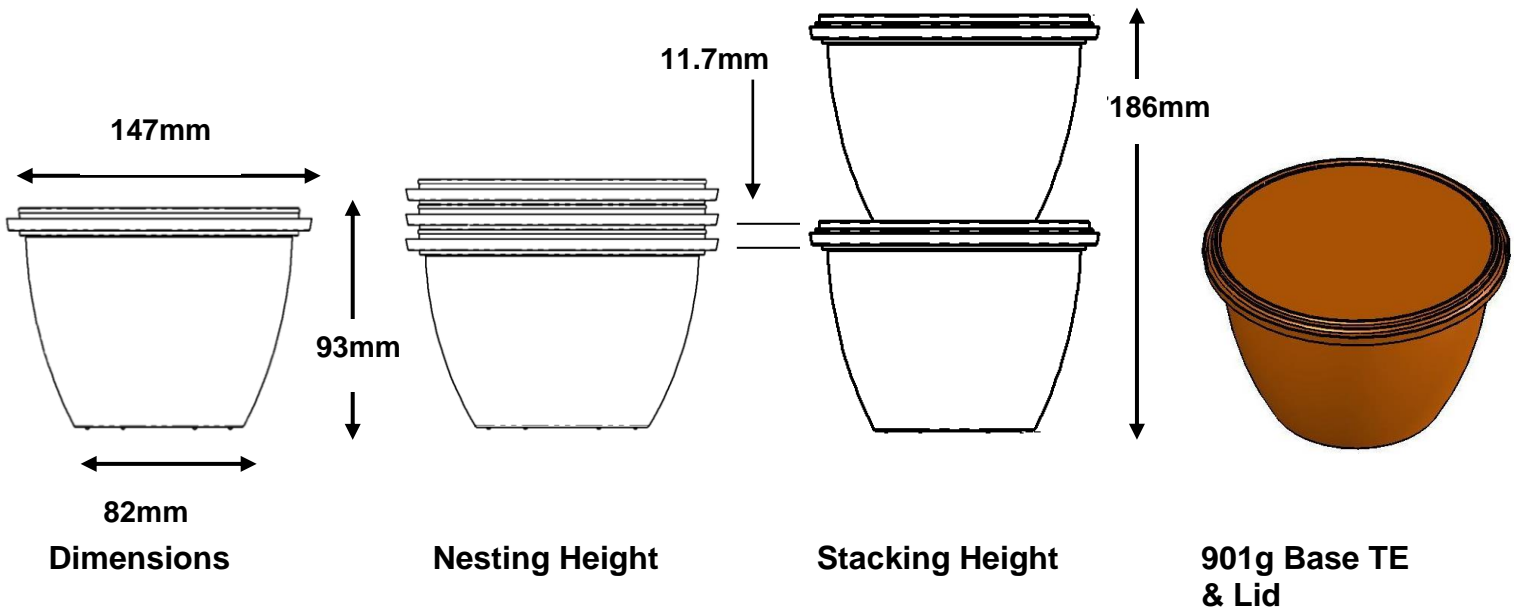
**\*\* made to order – minimum quantities apply**

**Qty Bowls**

- 280
- 5,040
- 10,080
- 20,160

**Qty Lids**

- 280
- 5,040
- 10,080
- 20,160



***Dimensions shown are nominal.***



**1 Kg Bowl Base & Lid**

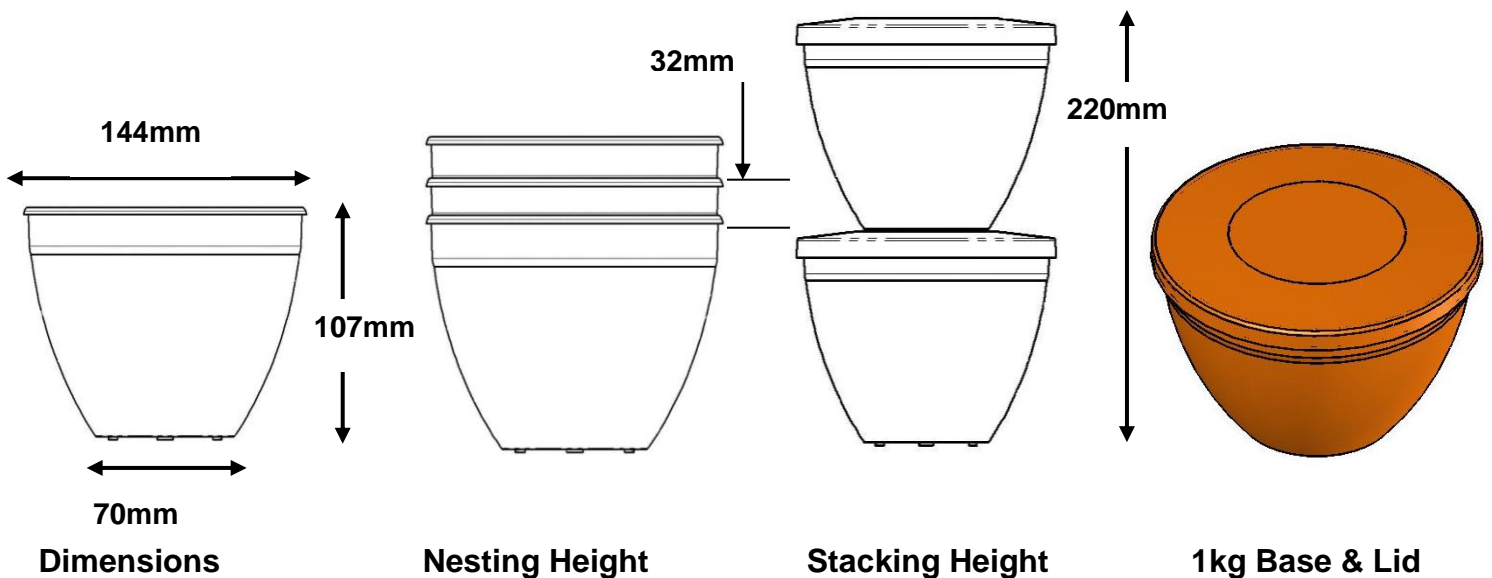
**Manufactured from:** Polypropylene for baking, for non-baking/freezing applications please contact our office so we can advise a suitable grade material for your specific use. All raw materials and colourants used in our pudding bases and lids are food contact approved. **Standard Colours:** natural and gold. Other colours can be made to order, subject to minimum quantities – a PMS colour code or colour sample to match would be required for colours not currently in our range. **Freight:** added to invoice or as arranged **Capacity:** 1150ml brim full. **Standard carton: Bowl 125 units Lid 250.** **Min order:** two standard cartons of bowls and 1 standard carton of lids. **Samples:** are available on request.

<b>Code</b>	<b>Description</b>	<b>Code</b>	<b>Description</b>
M218203	1KG BOWL BASE GOLD	M217907	900g BOWL LID CP GOLD
M218201	1KG BOWL BASE NATURAL**	M217901	900g BOWL LID CP NATURAL**
M218202	1KG BOWL BASE RED**	M217902	900g BOWL LID CP WHITE**

**\*\* made to order – minimum quantities may apply**

**Qty Bowls**  
250  
5,000  
10,000  
20,000

**Qty Lids**  
250  
5,000  
10,000  
20,000



***Dimensions shown are nominal.***